

1600 Spool Valves

SPOOL VALVES • 1/2", 3/2, 5/2, NPT (BSP)

1600 SERIES

PILOT SOLENOID OPERATED

General Description

A range of compact 3/2 and 5/2 pilot solenoid operated spool valves in Stainless Steel for use on gases and liquids.

- Hazardous area solenoids.
- Coil with 316 or aluminium housing
- Block before bleed.
- ATEX approved.
- UL Listed CSA approvals.

Operating Medium

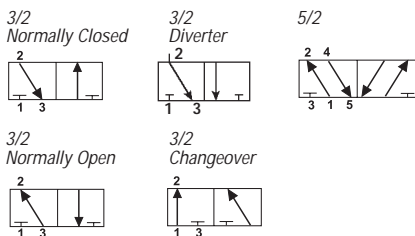
Gases

Filtered non-lubricated air, inert gas, sweet (natural) gases. Sour gas option available (details on application)

Liquids

Low pressure hydraulic, mineral oil or water.

Functional Symbols



Technical Data

Ports

- 1/2" NPT (BSP option available)
- 1/8" NPT pilot ports

Working Pressure (gases & liquids)

- Single Solenoid Valves
3 to 12 bar (45 to 174 psi)
- Double Solenoid Valves
2 to 12 bar (30 to 174 psi)

Cv (Kv)

- 3/2 valves - 3.5 (53)
- 5/2 valves - 3.5 (53)

Working Temperature

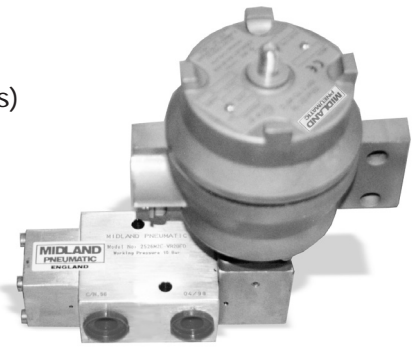
- Valve only
-20°C to +180°C (-4°F to +356°F)
- Solenoid - Ambient temperature
-20°C to +180°C (-4°F to +149°F)

Minimum Pilot Pressure

- At 6.3 bar (90 psi) body pressure
Pilot Return - 2.0 bar (30.0 psi)

Maximum Flow

- 6 bar (87 psi), 1 bar (14.5 psi) differential
- 3/2 valves - 3500 L/min (123 SCFM)
- 5/2 valves - 3500 L/min (123 SCFM)



Construction Materials

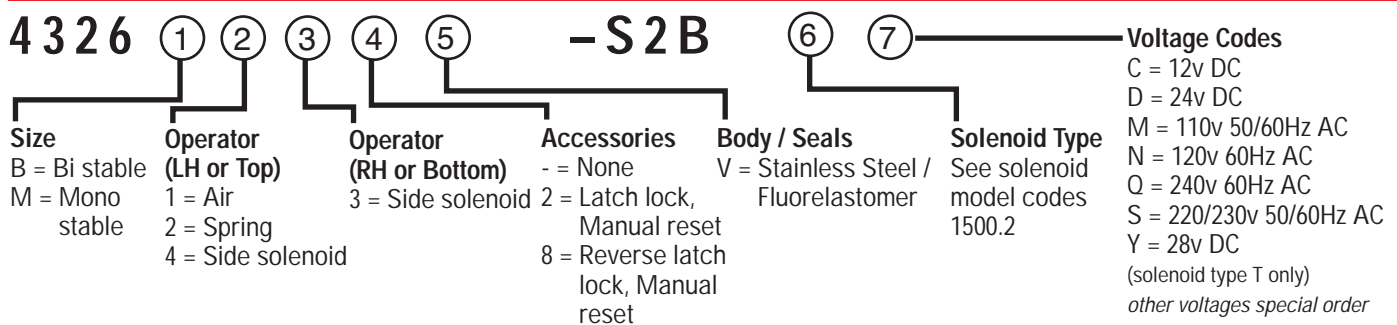
- Stainless Steel AISI 316L to NACE MR-01-75 Body
- Stainless Steel AISI 316L to NACE MR-01-75 Spool
- 316 Stainless Steel Spring
- Fluoroelastomer Seals
- Refer to solenoid specification

Instrument Signals

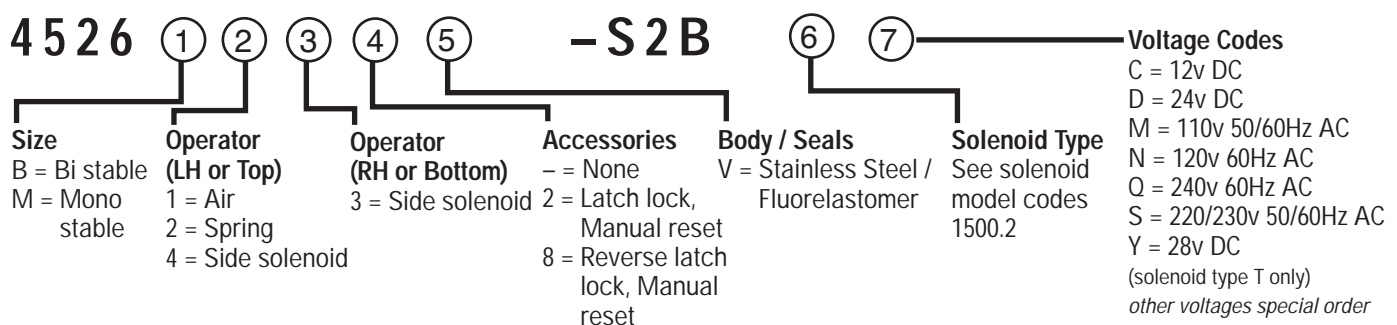
Valves with side mounted solenoids can be supplied to operate on instrument signals, typically 0 to 1.5 bar (0 to 21 psi). A separate supply to the pilot solenoid is necessary. This supply is 2 bar (30 psi) minimum for the double pilot and 3 bar (45 psi) minimum for the single pilot.

MODEL CODES

3/2 Valves



5/2 Valves



PILOT SOLENOID OPERATED

SOLENOID MODEL CODES



Model Code	Safety Rating	Protection and Housing Material	Approved Area	Ingress Protection	Weight kg (lbs)
D	EExd II T5	Flameproof Cast Iron	Zones 1 & 2	IP65	1.30 (2.86)
CL	NEMA 7 & 9	Flameproof, 3316 Stainless Steel Class H Insulation	Class I, Groups C & D Class III Groups E, F & G	NEMA 4	0.29 (0.65)
K	EExdIIC T6	Flameproof, 316 Stainless Steel	Zones 1 and 2	IP67	1.62 (3.57)
P	EEme II T4/T5	Increased Encapsulation, Glass Reinforced Polyamid.	Zones 1 and 2	IP66	0.63 (1.39)
T	EExia IIC T6	Intrinsically Safe. Glass Reinforced Polyamid.	Zones 0	IP66	0.53 (1.17)
4	IP65	Solenoid	Not Approved	IP65	0.085 (0.19)

The model code shown appears in the 13th position of the model number.

Preferred models

Model Number	Description	Weight kg (lbs)	Symbol
4326M23-VS2B * +	1/2" NPT 3/2 Pilot solenoid operated, spring return	1.50 (3.31) + Sol	
4326M232VS2B * +	1/2" NPT 3/2 Pilot solenoid operated, spring return with latch lock, manual reset	2.10 (4.63) + Sol	
4326M238VS2B * +	1/2" NPT 3/2 Pilot solenoid operated, spring return with reverse latch lock, manual reset	2.10 (4.63) + Sol	
4326B13-VS2B * +	1/2" NPT 3/2 Pilot solenoid operated, pilot air return	1.60 (3.53) + Sol	
4326B33-VS2B * +	1/2" NPT 3/2 Double pilot solenoid operated	1.70 (3.75) + Sol	

Preferred models

Model Number	Description	Weight kg (lbs)	Symbol
4526M23-VS2B * +	1/2" NPT 5/2 Pilot solenoid operated, spring return	2.10 (4.63) + Sol	
4526M232VS2B * +	1/2" NPT 5/2 Pilot solenoid operated, spring return with latch lock, manual reset	2.70 (5.95) + Sol	
4526M238VS2B * +	1/2" NPT 5/2 Pilot solenoid operated, spring return with reverse latch lock, manual reset	2.70 (5.95) + Sol	
4526B13-VS2B * +	1/2" NPT 5/2 Pilot solenoid operated, pilot air return	2.20 (4.85) + Sol	
4526B33-VS2B * +	1/2" NPT 5/2 Double pilot solenoid operated	2.30 (5.07) + Sol	

* Specify solenoid type, + Specify solenoid voltage, Without solenoid fitted specify "Z" in position "13" (for Zones 0, 1 & 2)
Without solenoid fitted specify "A" in position "13" (for NEMA 7 & 9)

1600 Spool Valves

SPPOOL VALVES • 1/2", 3/2, 5/2, NPT (BSP)

1600 SERIES

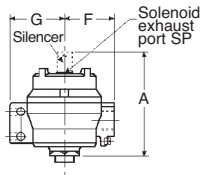
PILOT SOLENOID OPERATED



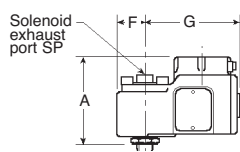
1600 SPOOL VALVES

3/2 and 5/2 Spool Valves

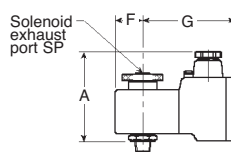
Solenoid code K
(EExd IIC T6)



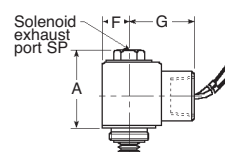
Solenoid code D
(EExd IIc T5)



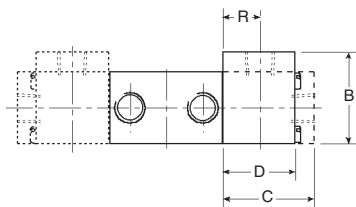
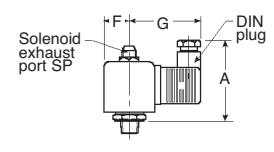
Solenoid code P (EEx me II T4/T5) Solenoid code T (EEx ia IIC T6)



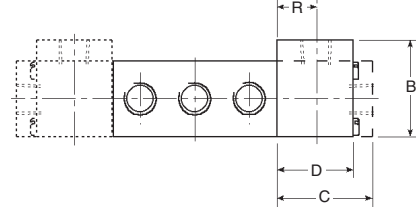
CL (NEMA 7 & 9)



Solenoid code 4
(None hazardous)



3/2 valve base. For basic valve dimensions see page 1600.4



5/2 valve base. For basic valve dimensions see page 1600.4

INSTALLATION DIMENSIONS mm (inches)

Model Code	A	B	C	D	F	G	R	SP
CL	42 (1.65)	41 (1.61)	32 (1.26)	32 (1.26)	18 (0.71)	40 (1.57)	16 (0.63)	1/8" NPT
D	76 (2.99)	41 (1.61)	32 (1.26)	32 (1.26)	25 (0.98)	84 (3.31)	16 (0.63)	1/8" NPT
K	110 (4.33)	41 (1.61)	32 (1.26)	32 (1.26)	52 (2.05)	58 (2.28)	16 (0.63)	M8
P & T	71.5 (2.81)	41 (1.61)	32 (1.26)	32 (1.26)	25 (0.98)	81 (3.19)	16 (0.63)	1/8" NPT
4	57 (2.24)	39 (1.54)	26 (1.02)	21 (0.83)	19.5 (0.77)	50 (1.97)	11 (0.43)	1/8" NPT

SOLENOID SPECIFICATIONS

Model Code	K	D	P	T	CL	4	
Type of Protection	EExd IIC T6	EExd IIc T5	EEx me II T4/T5	EEx ia IIC T6	NEMA 7 & 9	None	
Approved Area	Zones 1 and 2	Zones 1 and 2	Zones 1 and 2	Zone 0	Class I, Groups C & D, Class II Groups E, F & G	None	
Degree of Protection	IP67	IP67	IP66	IP66	NEMA 4 (IP55)	IP65	
Housing	316 Stainless Steel alt Aluminium Epoxy coated	Ferritic, Cast Iron Epoxy painted	Glass reinforced Polyamid (St St conduit hub)	Glass reinforced Polyamid Polyamid	Stainless Steel Coil potted	Molded Plastic	
Cable entry (Alt cable entry available)	M20 x 1.5	M20 x 1.5	M20 x 1.5	M20 x 1.5	1/2" NPT 24" leads	DIN plug	
Power Consumption	DC AC	5W 5W	8W	6W	0.3W	1.8W 1.8W	9W 9W(holding)
Maximum Admissible Surface Temp	85°C (185°F)	100°C (212°F)	T4 135°C (275°F) T5 100°C (212°F)	85°C (185°F)	160°C (320°F)	N/A	
Maximum Ambient Temperature	40°C (104°F)	40°C (104°F)	T4 75°C (167°F) T5 40°C (104°F)	65°C (149°F)	40°C (104°F)	55°C (131°F)	
Maximum Fluid Temp	80°C (176°F)	75°C (167°F)	75°C (167°F)	75°C (167°F)	105°C (221°F)	75°C (167°F)	
Approved Standard	ATEX	ATEX	ATEX	ATEX	UL Listed CSA Certified	N/A N/A	
Certificate Number	SIRA03ATEX1319	02ATEX6008X	02ATEX6023X	02ATEX6066X	026894X0000	N/A	

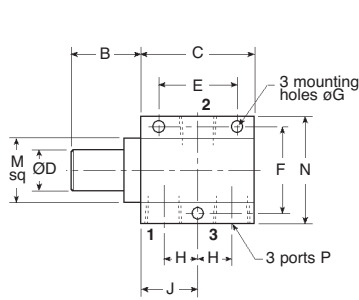
PILOT SOLENOID OPERATED

INSTALLATION DIMENSIONS mm (inches)



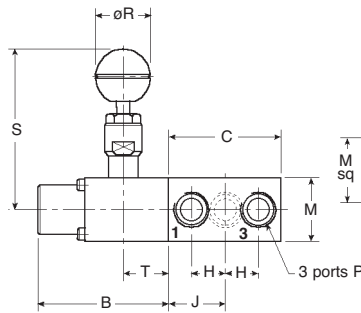
3/2 Pilot Solenoid Operated - Valve Bases

Spring Return
4326M23-VS2B**



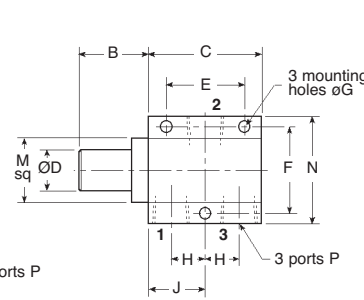
Body Thickness = 'M'

Spring Return with Latch Lock
4326M232VS2B** 4326M238VS2B**



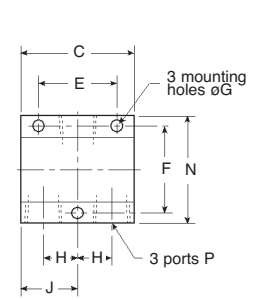
Dimensions 'E', 'F', and 'G' and 'N' as for spring return base

Pilot Air Return
4326B13-VS2B**



Body Thickness = 'M'

Pilot Solenoid Return
4326B33-VS2B**

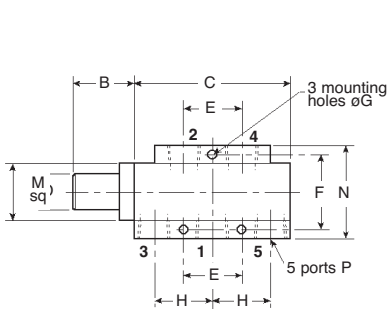


Body Thickness = 'M'

Model Number	B	C	D	E	F	G	H	J	M	N	P	PP	R	S	T
4326M23-VS2B**	40 (1.57)	65 (2.56)	24 (0.94)	45 (1.77)	50 (1.97)	6.5 (0.26)	19.5 (0.77)	32.5 (1.28)	38 (1.50)	62 (2.44)	1/2" NPT 1/2" NPT	- -	- -	- -	- -
4326M232VS2B**	75 (2.95)	65 (2.56)	-	45 (1.77)	50 (1.97)	6.5 (0.26)	19.5 (0.77)	32.5 (1.28)	38 (1.50)	62 (2.44)	1/2" NPT 1/2" NPT	- -	32 (1.26)	93 (3.66)	26 (1.02)
4326M238VS2B**	75 (2.95)	65 (2.56)	-	45 (1.77)	50 (1.97)	6.5 (0.26)	19.5 (0.77)	32.5 (1.28)	38 (1.50)	62 (2.44)	1/2" NPT 1/2" NPT	- -	32 (1.26)	93 (3.66)	26 (1.02)
4326B13-VS2B**	32 (1.26)	65 (2.56)	-	45 (1.77)	50 (1.97)	6.5 (0.26)	19.5 (0.77)	32.5 (1.28)	38 (1.50)	62 (2.44)	1/2" NPT 1/2" NPT	1/8" NPT 1/8" NPT	- -	- -	- -
4326B33-VS2B**	-	65 (2.56)	-	45 (1.77)	50 (1.97)	6.5 (0.26)	19.5 (0.77)	32.5 (1.28)	38 (1.50)	62 (2.44)	1/2" NPT 1/2" NPT	- -	- -	- -	- -

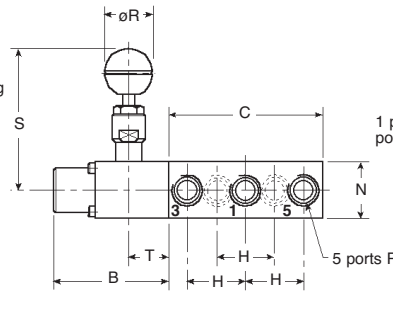
5/2 Pilot Solenoid Operated - Valve Bases

Spring Return
4526M23-VS2B**



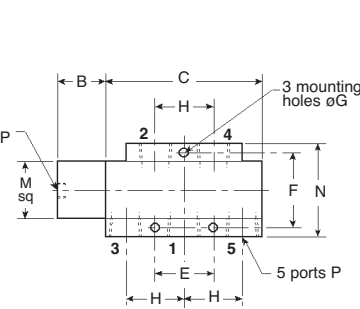
Body Thickness = 'M'

Spring Return with Latch Lock
4526M232VS2B** 4526M238VS2B**



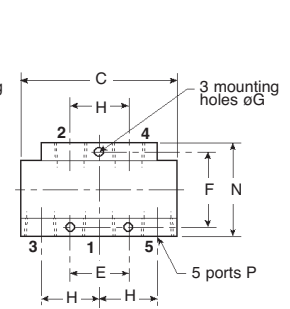
Dimensions 'E', 'F', and 'G' and 'N' as for spring return base

Pilot Air Return
4526B13-VS2B**



Body Thickness = 'M'

Pilot Solenoid Return
4526B33-VS2B**



Body Thickness = 'M'

Model Number	B	C	D	E	F	G	H	M	N	P	PP	R	S	T
4526M23-VS2B**	40 (1.57)	103 (4.06)	24 (0.94)	38 (1.50)	50 (1.97)	6.5 (0.26)	38.5 (1.52)	38 (1.50)	62 (2.44)	1/2" NPT 1/2" NPT	- -	- -	- -	- -
4526M232VS2B**	75 (2.95)	103 (4.06)	-	38 (1.50)	50 (1.97)	6.5 (0.26)	38.5 (1.52)	38 (1.50)	62 (2.44)	1/2" NPT 1/2" NPT	- -	32 (1.26)	93 (3.66)	26 (1.02)
4526M238VS2B**	75 (2.95)	103 (4.06)	-	38 (1.50)	50 (1.97)	6.5 (0.26)	38.5 (1.52)	38 (1.50)	62 (2.44)	1/2" NPT 1/2" NPT	- -	32 (1.26)	93 (3.66)	26 (1.02)
4526B13-VS2B**	32 (1.26)	103 (4.06)	-	38 (1.50)	50 (1.97)	6.5 (0.26)	38.5 (1.52)	38 (1.50)	62 (2.44)	1/2" NPT 1/2" NPT	1/8" NPT 1/8" NPT	- -	- -	- -
4526B33-VS2B**	-	103 (4.06)	-	38 (1.50)	50 (1.97)	6.5 (0.26)	38.5 (1.52)	38 (1.50)	62 (2.44)	1/2" NPT 1/2" NPT	- -	- -	- -	- -

PILOT OPERATED

General Description

A range of compact 3/2 and 5/2 pilot operated spool valves in stainless steel for use on gases and liquids.

- Compact.
- 3/2 and 5/2 versions.
- Non lube.
- Meet NACE standard.
- Stainless steel internals.

Operating Medium

Gases

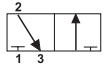
Filtered lubricated or non-lubricated air, inert gas, sweet (*natural*) gases. Sour gas option available (*details on application*)

Liquids

Low pressure hydraulic, mineral oil or water.

Functional Symbols

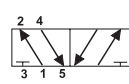
3/2
Normally Closed



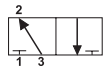
3/2
Diverter



5/2



3/2
Normally Open



3/2
Changeover



Technical Data

Ports

- 1/2" NPT (*BSP option available*)
- 1/8" NPT pilot ports

Working Pressure (gases & liquids)

- 12 bar (174 psi)

Cv (Kv)

- 3/2 valves 3.5 (53)
- 5/2 valves 3.5 (53)

Working Temperature

- -20°C to +180°C (-4°F to +356°F)

Minimum Pilot Pressure

- At 6.3 bar (90psi) body pressure
3/2 and 5/2

Spring return 3 bar (45psi)

Pilot return 2 bar (30psi)

Maximum Flow

- 6 bar (87 psi), 1 bar (14.5 psi) differential
- 3/2 - 3500 L/min (123 SCFM)
- 5/2 - 3500 L/min (123 SCFM)



Construction Materials

- Stainless Steel AISI 316L to NACE MR-01-75 Body
- Stainless Steel AISI 316L to NACE MR-01-75 Spool
- 316 Stainless Steel Spring
- Fluoroelastomer Seals

Preferred Models

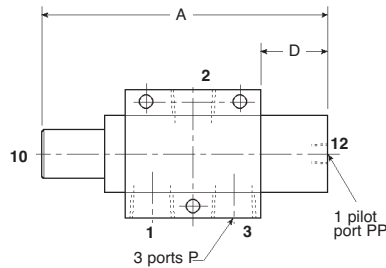
Model Number	Description	Weight kg (lbs)	Symbol
4326M21-VS2B	1/2" NPT 3/2 Pilot operated, spring return	1.40 (3.09)	
4326M212VS2B	1/2" NPT 3/2 Pilot operated, spring return with latch lock, manual reset	2.00 (4.41)	
4326M218VS2B	1/2" NPT 3/2 Pilot operated, spring return with reverse latch lock, manual reset	2.00 (4.41)	
4326B11-VS2B	1/2" NPT 3/2 Pilot operated, pilot return	1.50 (3.31)	
4526M21-VS2B	1/2" NPT 5/2 Pilot operated, spring return	2.00 (4.41)	
4526M212VS2B	1/2" NPT 5/2 Pilot operated, spring return with latch lock, manual reset	2.60 (5.73)	
4526M218VS2B	1/2" NPT 5/2 Pilot operated, spring return with reverse latch lock, manual reset	2.60 (5.73)	
4526B11-VS2B	1/2" NPT 5/2 Pilot operated, pilot return	2.10 (4.63)	

PILOT OPERATED

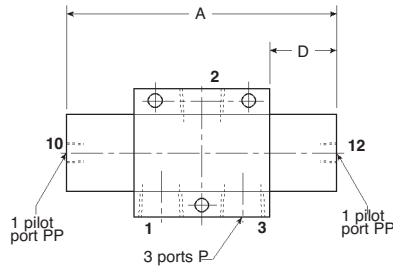
INSTALLATION DIMENSIONS mm (inches)

3/2 Pilot Solenoid Operated - Spring or Pilot Return

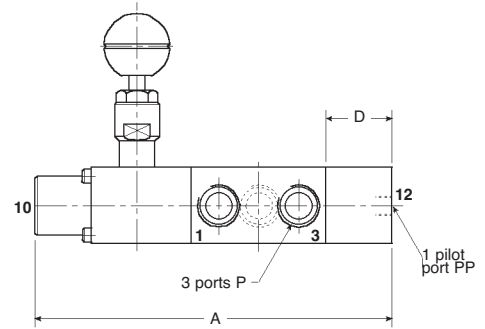
Pilot Operated, Spring Return
4326M21-VS2B



Pilot Operated, Pilot Return
4326B11-VS2B



Pilot Operated, Spring Return with Latch Lock
4326M212VS2B, 4326M218VS2B

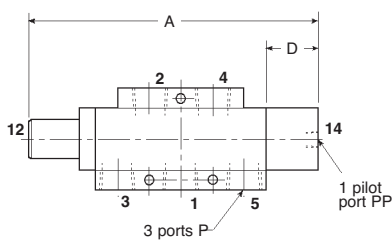


For basic valve dimensions, see 3/2 pilot return bases on page 1600.4

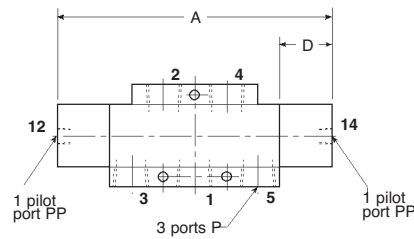
Model Number	A	D	P	PP
4326M21-VS2B	137 (5.39)	32 (1.26)	1/2" NPT 1/2" NPT	1/8" NPT 1/8" NPT
4326B11-VS2B	129 (5.08)	32 (1.26)	1/2" NPT 1/2" NPT	1/8" NPT 1/8" NPT
4326M212VS2B & 4326M218VS2B	172 (6.77)	32 (1.26)	1/2" NPT 1/2" NPT	1/8" NPT 1/8" NPT

5/2 Pilot Solenoid Operated - Spring or Pilot Return

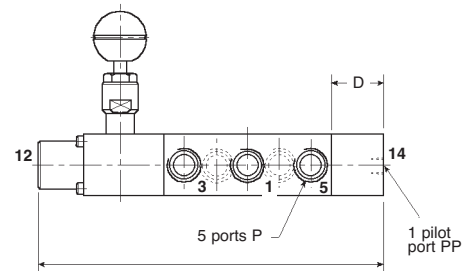
Pilot Operated, Spring Return
4526M21-VS2B



Pilot Operated, Pilot Return
4526B11-VS2B



Pilot Operated, Spring Return with Latch Lock
4526M212VS2B, 4526M218VS2B



For basic valve dimensions, see 3/2 pilot return bases on page 1600.4

Model Number	A	D	P	PP
4526M21-VS2B	175 (6.89)	32 (1.26)	1/2" NPT 1/2" NPT	1/8" NPT 1/8" NPT
4526B11-VS2B	167 (6.57)	32 (1.26)	1/2" NPT 1/2" NPT	1/8" NPT 1/8" NPT
4526M212VS2B & 4526M218VS2B	210 (8.27)	32 (1.26)	1/2" NPT 1/2" NPT	1/8" NPT 1/8" NPT

MANUALLY OPERATED (PAD)

General Description

A range of compact 3/2 and 5/2 manually operated spool valves in stainless steel for use on gases and liquids.

- Closed Center
- Compact
- Meets NACE

Operating Medium

Gases

Filtered lubricated or non-lubricated air, inert gas, sweet (natural) gases.

Sour gas option available. (details on application)

Liquids

Low pressure hydraulic, mineral oil or water.



Technical Data

Ports

- 1/4" – 1-1/2" NPT (BSP option available)
- 1/4" NPT pilot ports

Working Pressure (gases & liquids)

- 12 bar (174 psi)

Cv (Kv)

- 3/2 valves 3.5 (53)
- 5/2 valves 3.5 (53)

Working Temperature

- -20°C to +160°C (-4°F to +356°F)

Operating Force

- 10 bar (145 psi), body pressure
- 3/2 112N (25 lbf)
- 5/2 112N (25 lbf)

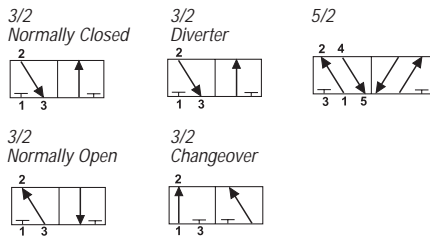
Maximum Flow

- 6 bar (87 psi), 1 bar (14.5 psi) differential
- 3/2 - 3500 L/min (94 SCFM)
- 5/2 - 3500 L/min (124 SCFM)

Construction Materials

- Stainless Steel AISI 316L to NACE MR-01-75 Body
- Stainless Steel AISI 316L to NACE MR-01-75 Poppet
- 316 Stainless Steel Spring
- Fluoroelastomer Seals

Functional Symbols



Preferred Models

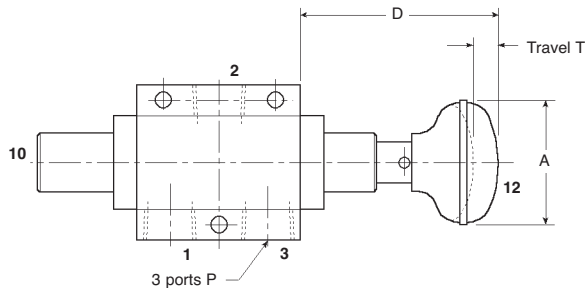
Model Number	Description	Weight kg (lbs)	Symbol
4326M27-VS2B	1/2" NPT 3/2 Pad operated, spring return	1.35 (2.98)	
4326B77-VS2B	1/2" NPT 3/2 Pad operated, push - pull	1.30 (2.87)	
4326B773VS2B	1/2" NPT 3/2 Pad operated, push-pull with detent	1.40 (3.09)	
4326B17-VS2B	1/2" NPT 3/2 Pad operated, pilot air return	1.50 (3.31)	
4526M27-VS2B	1/2" NPT 5/2 Pad operated, spring return	1.95 (4.30)	
4526B77-VS2B	1/2" NPT 5/2 Pad operated, push-pull	1.90 (4.19)	
4526B773VS2B	1/2" NPT 5/2 Pad operated, push-pull with detent	2.00 (4.41)	
4526B17-VS2B	1/2" NPT 5/2 Pad operated, pilot air return	2.10 (4.63)	

PILOT SOLENOID OPERATED

INSTALLATION DIMENSIONS mm (inches)

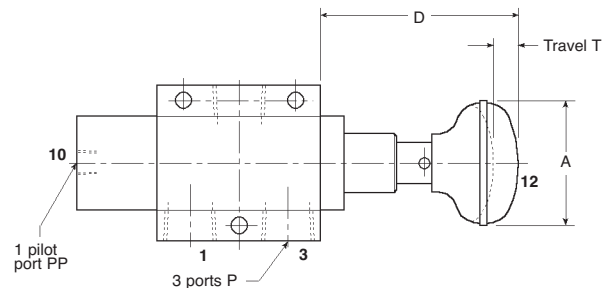
3/2 Pad Operated - Spring Return, Pad Operated (Push-Pull), Pad Operated Pilot Air Return

Pad Operated, Spring Return
4326M27-VS2B



For basic valve dimensions, see 3/2 spring return bases on page 1600.4

Pad Operated (Push-Pull) 4326B77-VS2B
Pad Operated (Push-Pull) with detent 4326B773VS2B
Pad Operated, Pilot Air Return 4326B17-VS2B

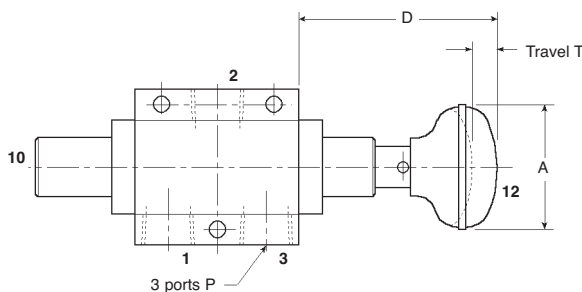


For basic valve dimensions, see 3/2 pilot air return bases on page 1600.4

Model Number	A	D	P	PP	T
4326M27-VS2B	51 (2.00)	78 (3.07)	1/2" NPT 1/2" NPT	- -	9.5 (0.37)
4326B77-VS2B	51 (2.00)	78 (3.07)	1/2" NPT 1/2" NPT	1/8" NPT 1/8" NPT	9.5 (0.37)
4326B773VS2B	51 (2.00)	78 (3.07)	1/2" NPT 1/2" NPT	1/8" NPT 1/8" NPT	9.5 (0.37)
4326B17-VS2B	51 (2.00)	78 (3.07)	1/2" NPT 1/2" NPT	1/8" NPT 1/8" NPT	9.5 (0.37)

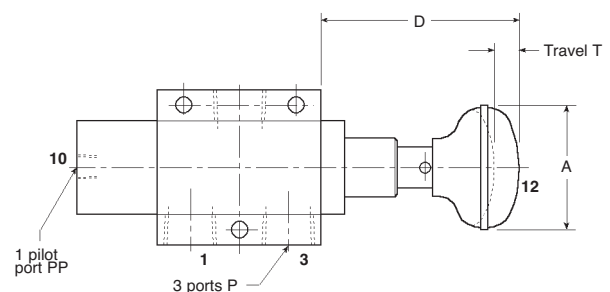
5/2 Pad Operated - Spring Return, Pad Operated (Push-Pull), Pad Operated Pilot Air Return

Pad Operated, Spring Return
4526M27-VS2B



For basic valve dimensions, see 5/2 spring return bases on page 1600.4

Pad Operated (Push-Pull) 4526B77-VS2B
Pad Operated (Push-Pull) with Detent 4526B773VS2B
Pad Operated, Pilot Air Return 4526B17-VS2B



For basic valve dimensions, see 5/2 pilot air return bases on page 1600.4

Model Number	A	D	P	PP	T
4526M27-VS2B	51 (2.00)	78 (3.07)	1/2" NPT 1/2" NPT	- -	9.5 (0.37)
4526B77-VS2B	51 (2.00)	78 (3.07)	1/2" NPT 1/2" NPT	1/8" NPT 1/8" NPT	9.5 (0.37)
4526B773VS2B	51 (2.00)	78 (3.07)	1/2" NPT 1/2" NPT	1/8" NPT 1/8" NPT	9.5 (0.37)
4526B17-VS2B	51 (2.00)	78 (3.07)	1/2" NPT 1/2" NPT	1/8" NPT 1/8" NPT	9.5 (0.37)

MANUALLY OPERATED (LEVER)

General Description

A range of compact 3/2 and 5/2 pilot operated spool valves in stainless steel for use on gases and liquids.

- Closed Center
- Compact
- Unique Key

Operating Medium

Gases

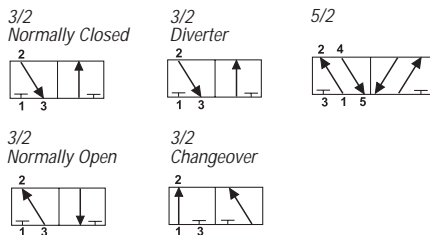
Filtered lubricated or non-lubricated air, inert gas, sweet (*natural*) gases.

Sour gas option available
(*details on application*)

Liquids

Low pressure hydraulic, mineral oil or water.

Functional Symbols



Technical Data

Ports

- 1/2" NPT (*BSP option available*)
- 1/8" NPT vent port

Working Pressure (*gases & liquids*)

- 12 bar (174 psi)

Cv (Kv)

- 3/2 valves 3.5 (53)
- 5/2 valves 3.5 (53)

Working Temperature

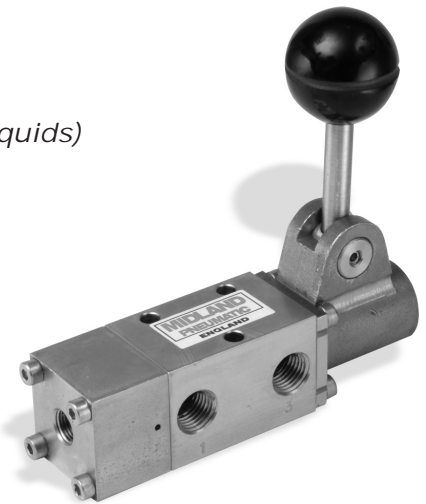
- -20°C to +180°C (-4°F to +356°F)

Operating Force

- 10 bar (145 psi), body pressure
- 3/2 61N (13.7 lbf)
- 5/2 61N (13.7 lbf)

Maximum Flow

- 6 bar (87 psi), 1 bar (14.5 psi) differential
- 3/2 - 3500 L/min (123 SCFM)
- 5/2 - 3500 L/min (123 SCFM)



Construction Materials

- Stainless Steel AISI 316L to NACE MR-01-75 Body
- Stainless Steel AISI 316L to NACE MR-01-75 Spool
- 316 Stainless Steel Spring
- Fluoroelastomer Seals

Preferred Models

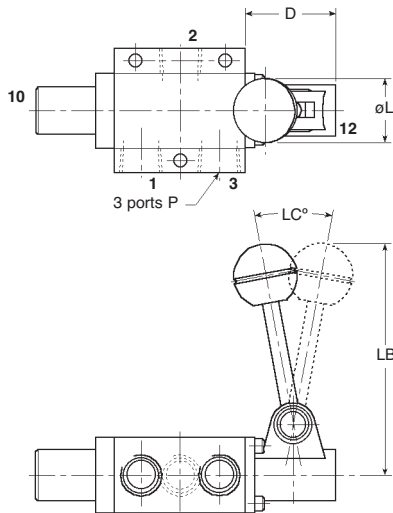
Model Number	Description	Weight kg (lbs)	Symbol
4326M25-VS2B	1/2" NPT 3/2 Lever operated, spring return	1.40 (3.09)	
4326B553VS2B	1/2" NPT 3/2 Lever operated with detent	1.50 (3.31)	
4526M25-VS2B	1/2" NPT 5/2 Lever operated, spring return	2.00 (4.41)	
4526B553VS2B	1/2" NPT 5/2 Lever operated with detent	2.10 (4.63)	

MANUALLY OPERATED LEVER

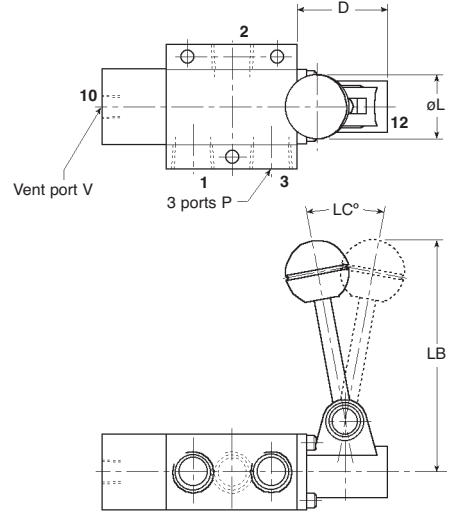
INSTALLATION DIMENSIONS mm (inches)

3/2 Lever Operated - Spring Return, Lever Operated with Detent

Lever Operated, Spring Return
4326M25-VS2B



Lever Operated with Detent
4326B553VS2B



For basic valve dimensions, see 3/2 spring return bases on page 1600.4

Model Number	D	L	LB	LC	P	V
4326M25-VS2B	46	32	117	210	1/2" NPT	-
	(1.81)	(1.26)	(4.61)	210	1/2" NPT	-
4326B553VS2B	46	32	117	210	1/2" NPT	1/8" NPT
	(1.81)	(1.26)	(4.61)	210	1/2" NPT	1/8" NPT